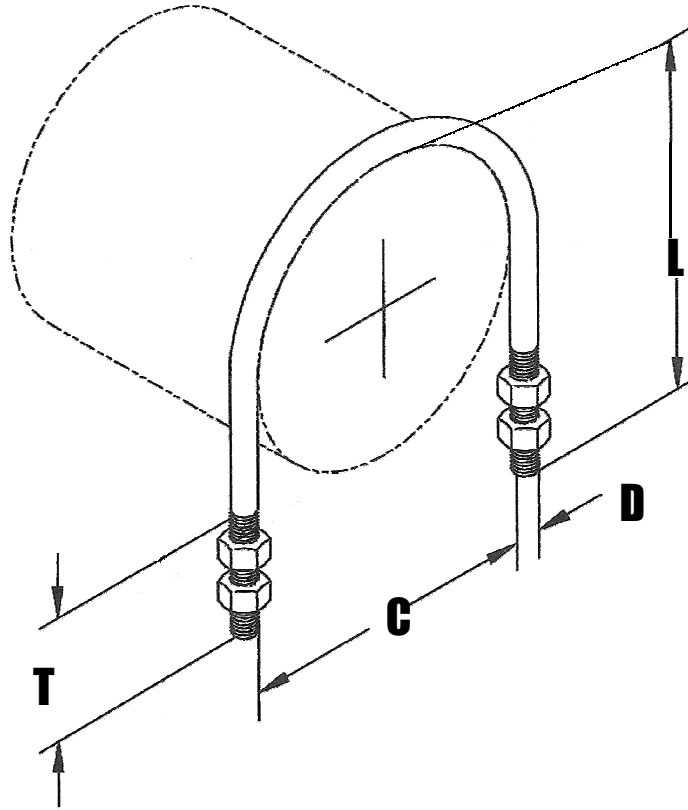


Custom U-Bolts Supplied with 4 Nuts Each



	NPS	"C"	"D"	"L"	"T"	Finish	Qty
1							
2							
3							
4							
5							
6							
7							
8							
9							
10							
11							
12							



ADVANTAGE INDUSTRIAL SOLUTIONS, INC.
 11450 FM 1960 W., #112 - HOUSTON, TX 77065
 (832)237-7500 PH - (832)237-7501 FAX
info@advantageindustrial.com - www.advantageindustrial.com